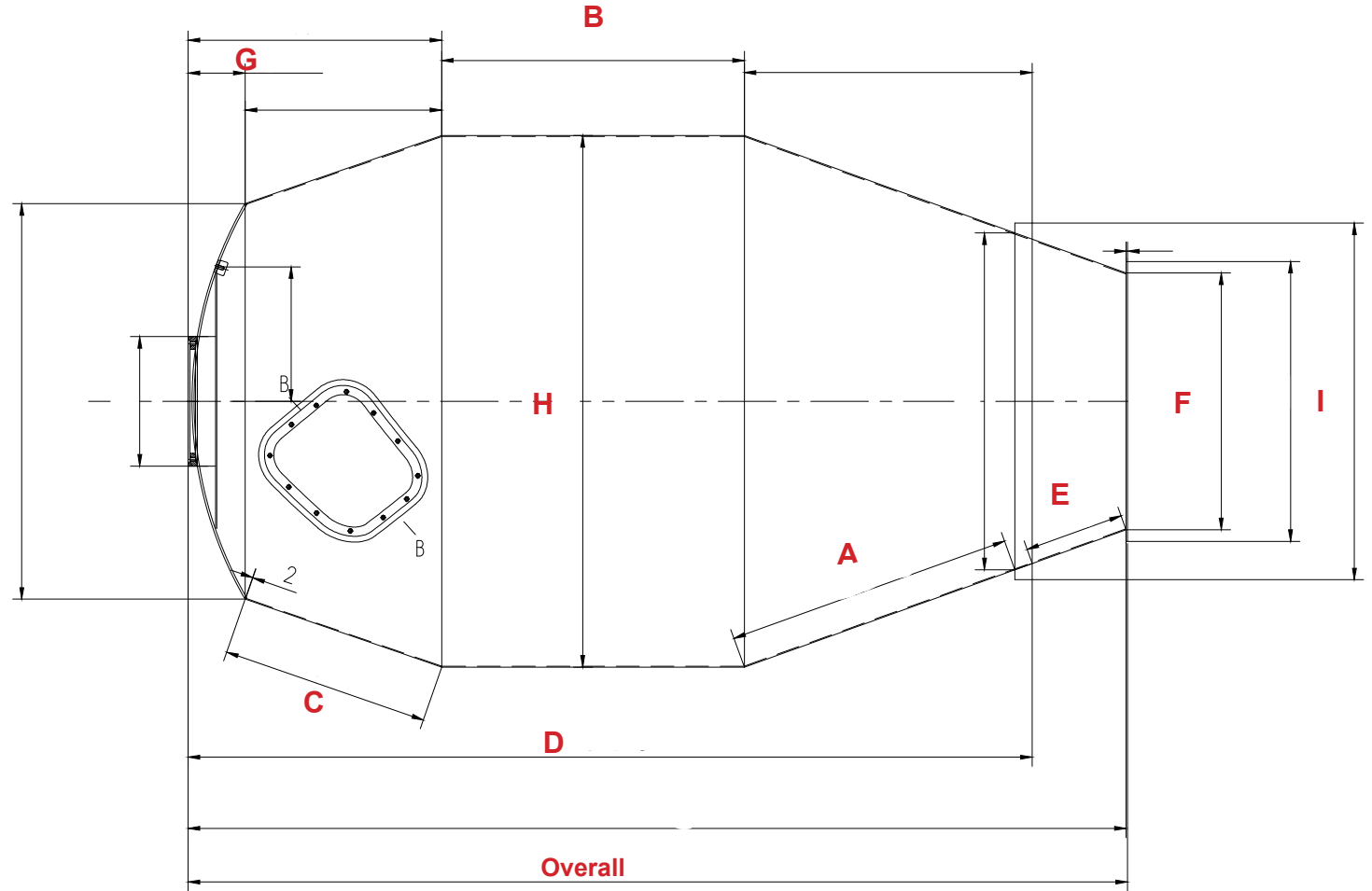


Please provide geardrive details:

- PMP
- Bonfig
- CML (deep dished end required)
- ZF 4300 / 7300
- Trasmital 575 / 577
- Other: \_\_\_\_\_



**7.5mATT Barrel**

Measurement Taken (please ensure from middle of weld)

Measurement for:

A = \_\_\_\_\_

G = \_\_\_\_\_

Company: \_\_\_\_\_

B = \_\_\_\_\_

H = \_\_\_\_\_

Fleet No. \_\_\_\_\_

C = \_\_\_\_\_

I = \_\_\_\_\_

Completed by:

D = \_\_\_\_\_

J = \_\_\_\_\_

Name: \_\_\_\_\_

E = \_\_\_\_\_

Overall = \_\_\_\_\_ if required

Date: \_\_\_\_\_

F = \_\_\_\_\_

Track Ring = \_\_\_\_\_

